

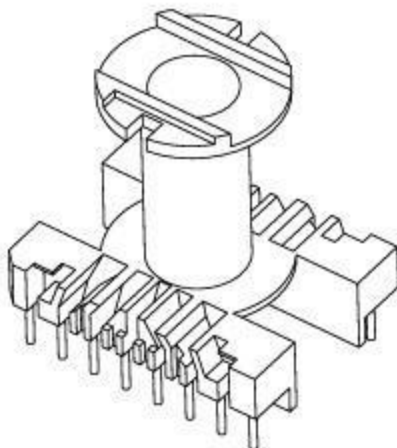
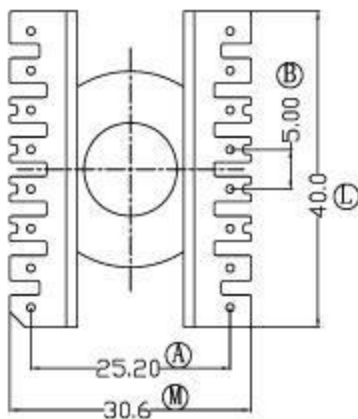
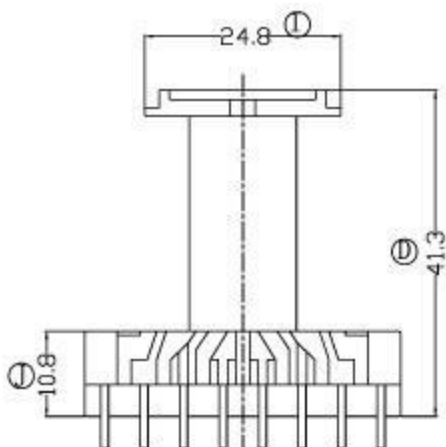
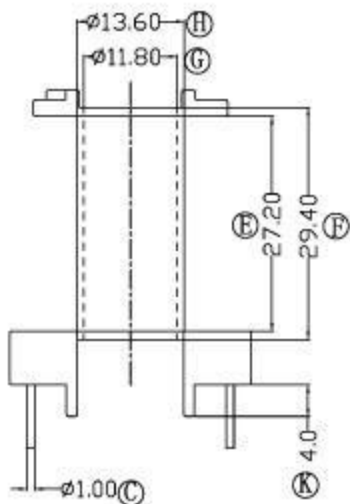


伏赛电子有限公司  
Fusign Electronics Co., Ltd

型号

ER-3503

REV	REVISIONS REC	DATE



DRAWNBY

JING LI PENG

TOLERANCE

MODEL NAME:

EC-35 (8+8P)

CHECKER BY

LING RONG WANG

X. X            $\pm 0.3$   
X. XX           $\pm 0.2$   
壁厚:           $\pm 0.15$   
PINPITCH       $\pm 0.2$

BOBBIN MATERIAL:

PHENOLIC

DATE

01-01-2008

SCALE: 1.5:1

SCALE: UL 94V-0



SCALE: M/M