

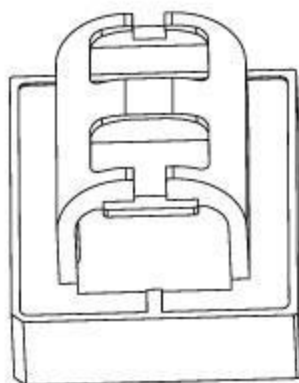
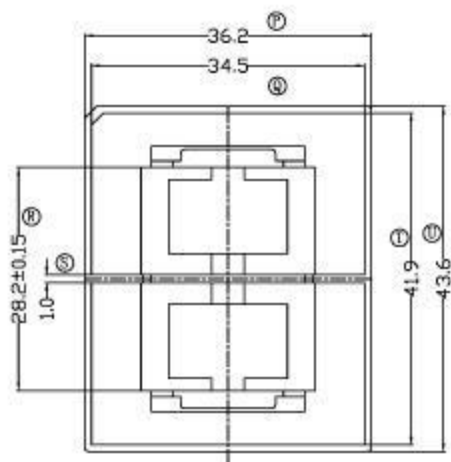
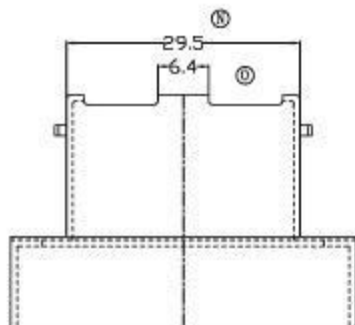
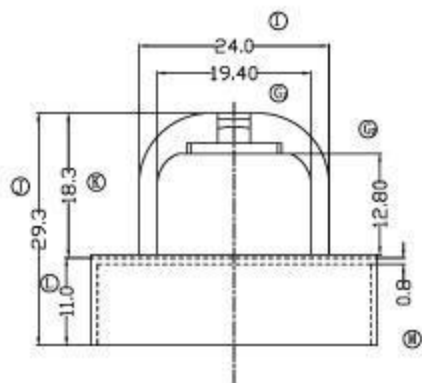


伏赛电子有限公司  
Fusign Electronics Co., Ltd

型号

CASE-3504-1

REV	REVISIONS REC	DATE



DRAWN BY	JING LI PENG	TOLERANCE	MODEL NAME:	CASE-35外盖
CHECKER BY	LING RONG WANG		BOBBIN MATERIAL:	PET 黑色
DATE	01-01-2008	X. X ± 0.3	SCALE:	4:1
		X. XX ± 0.2	SCALE:	UL 94V-0
		壁厚: ± 0.15		
		PIN PITCH ± 0.2		
				SCALE: M/M