



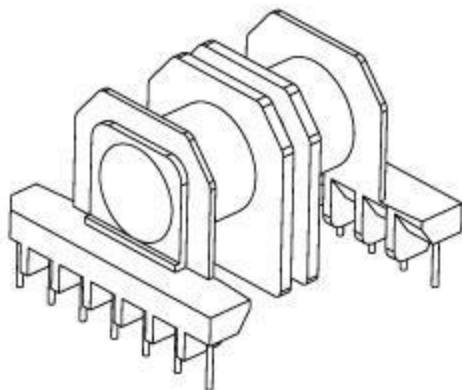
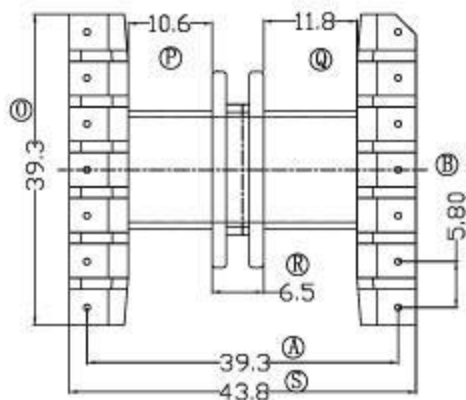
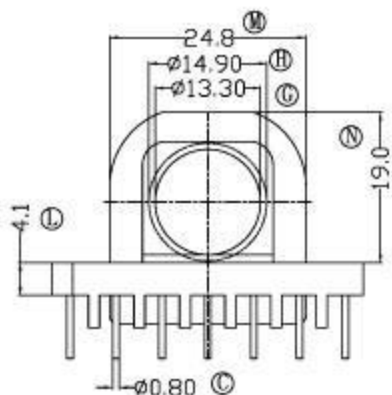
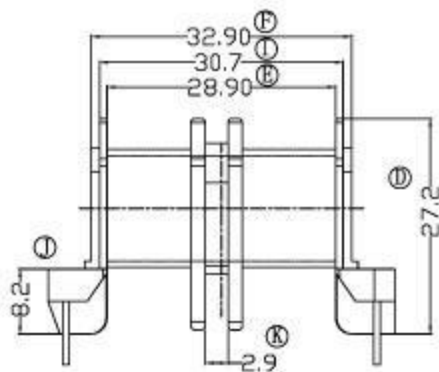
Fusign

 伏赛电子有限公司
 Fusign Electronics Co., Ltd

型号

ER-3902A

REV	REVISIONS REC	DATE



DRAWNBY

JING LI PENG

TOLERANCE

MODEL NAME:

ER-39-14P-3S

CHECKER BY

LING RONG WANG

 X. X ± 0.3
 X. XX ± 0.2
 壁厚: ± 0.15
 PINPITCH ± 0.2

BOBBIN MATERIAL:

PHENOLIC

DATE

01-01-2008

SCALE: 4:1

SCALE: UL 94V-0



SCALE: M/M