



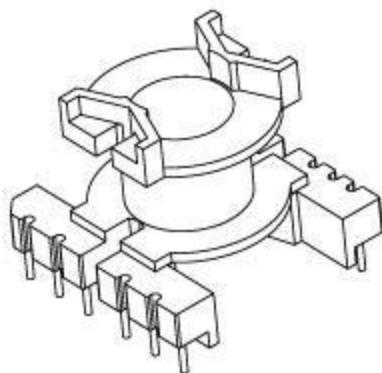
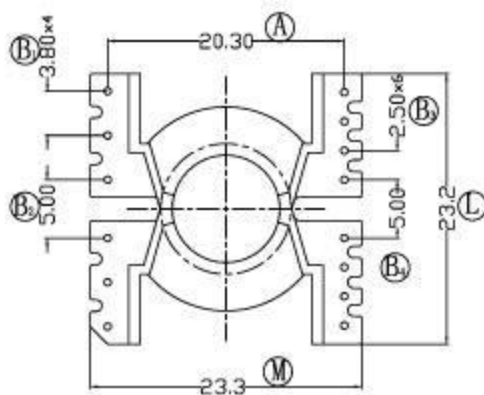
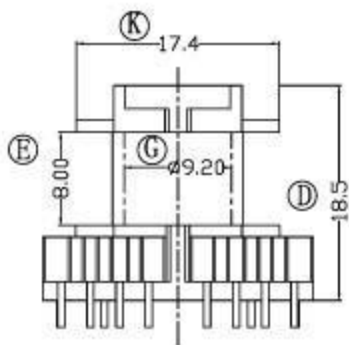
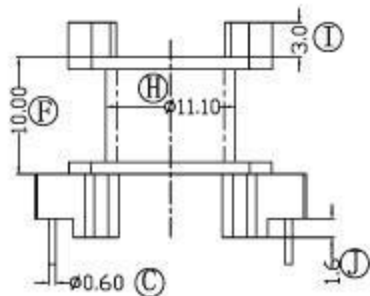
Fusign

伏赛电子有限公司  
Fusign Electronics Co., Ltd

型号

PQ-2001

REV	REVISIONS REC	DATE



DRAWNBY	JING LI PENG	TOLERANCE	MODEL NAME:	PQ-2016
CHECKER BY	LING RONG WANG		BOBBIN MATERIAL:	PHENOLIC
DATE	01-01-2008	X, X ± 0.3	SCALE: 2:1	SCALE: UL 94V-0
		X, XX ± 0.2		SCALE: M/M
		壁厚: ± 0.15		
		PINPITCH ± 0.2		