

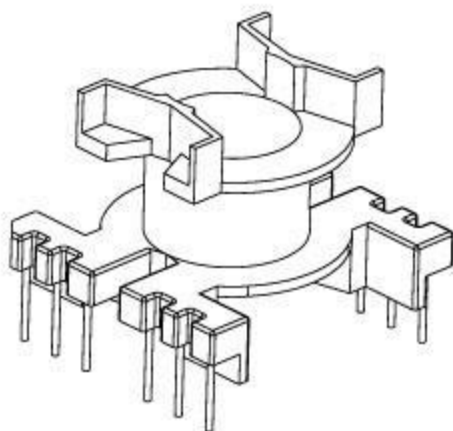
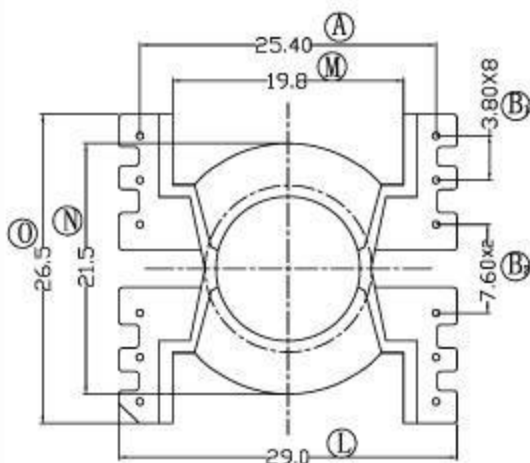
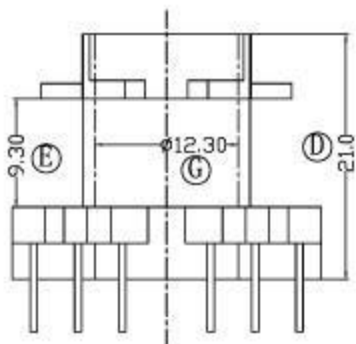
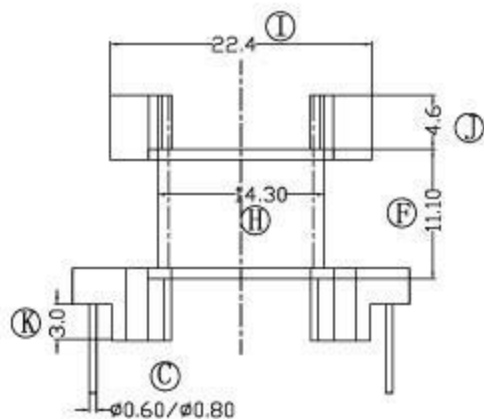


伏赛电子有限公司  
Fusign Electronics Co., Ltd

型号

PQ-2601

REV	REVISIONS REC	DATE



DRAWNBY

JING LI PENG

TOLERANCE

X. X            $\pm 0.3$   
X. XX           $\pm 0.2$   
壁厚:           $\pm 0.15$   
PINPITCH       $\pm 0.2$

MODEL NAME:

PQ-2620

CHECKER BY

LING RONG WANG

BOBBIN MATERIAL:

PHENOLIC

DATE

01-01-2008

SCALE:

2:1

SCALE:

UL 94V-0



SCALE:

M/M