

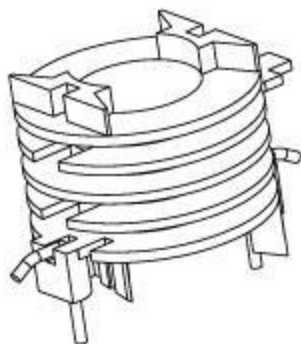
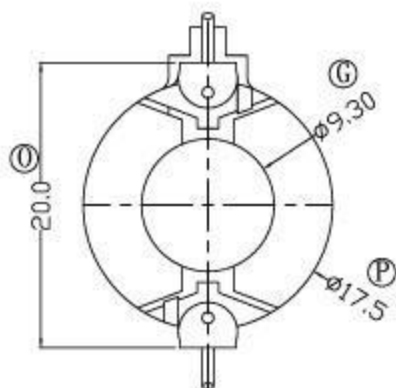
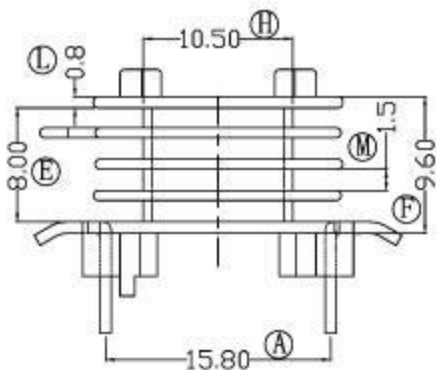
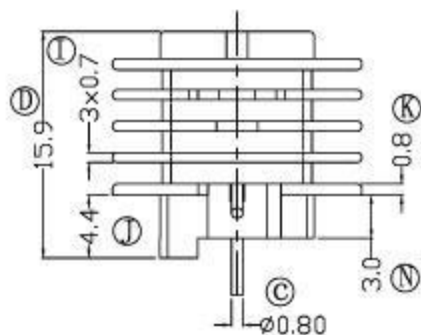


伏赛电子有限公司  
Fusign Electronics Co., Ltd

型号

PQ-2603

REV	REVISIONS REC	DATE



DRAWN BY	JING LI PENG	TOLERANCE	MODEL NAME:	PQ26-2P	
CHECKER BY	LING RONG WANG		X. X            ± 0.3 X. XX          ± 0.2 壁厚:          ± 0.15 PINPITCH      ± 0.2	BOBBIN MATERIAL:	PA66白色
DATE	01-01-2008		SCALE:        2:1	SCALE:	UL 94V-0
				SCALE:	M/M