

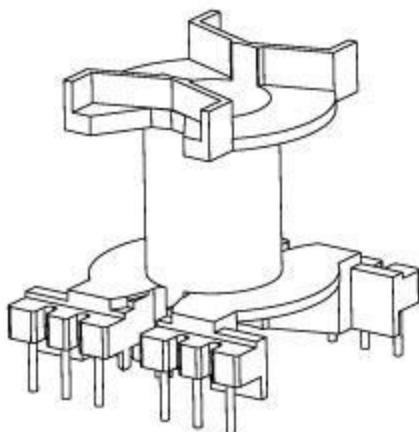
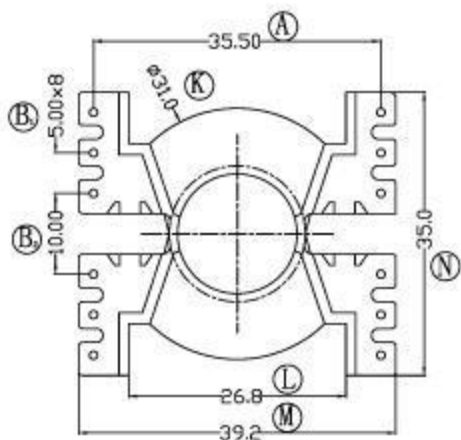
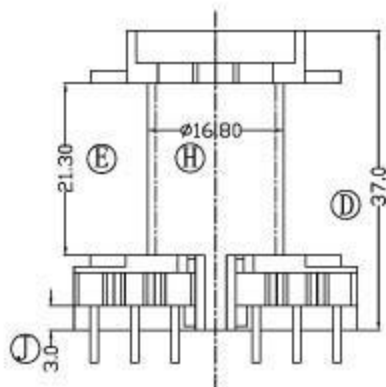
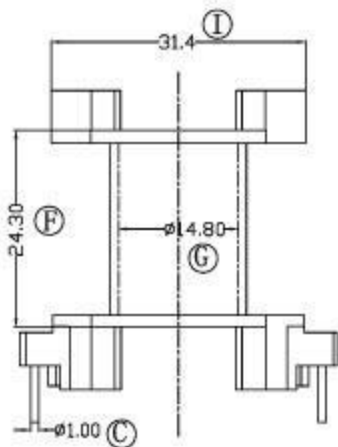


伏赛电子有限公司
Fusign Electronics Co., Ltd

型号

PQ-3501

| REV | REVISIONS REC | DATE |
|-----|---------------|------|
| | | |
| | | |



| | | | | | | | |
|------------|----------------|-----------|-------------|---------|------------------|----------|----------|
| DRAWNBY | JING LI PENG | TOLERANCE | MODEL NAME: | PQ-3535 | | | |
| CHECKER BY | LING RONG WANG | | X. X | ± 0.3 | BOBBIN MATERIAL: | PHENOLIC | |
| DATE | 01-01-2008 | X. XX | ± 0.2 | SCALE: | 2:1 | SCALE: | UL 94V-0 |
| | | 壁厚: | ± 0.15 | | | SCALE: | M/M |
| | | PINPITCH | ± 0.2 | | | | |