

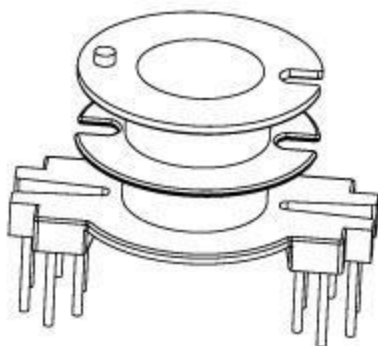
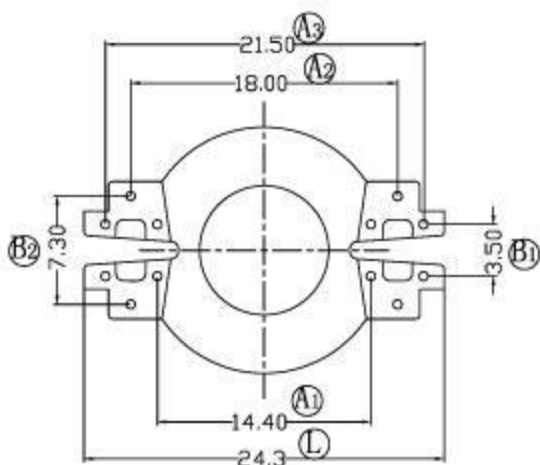
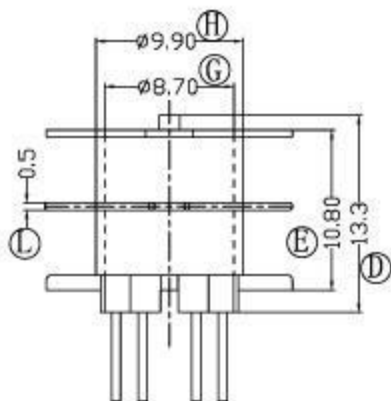
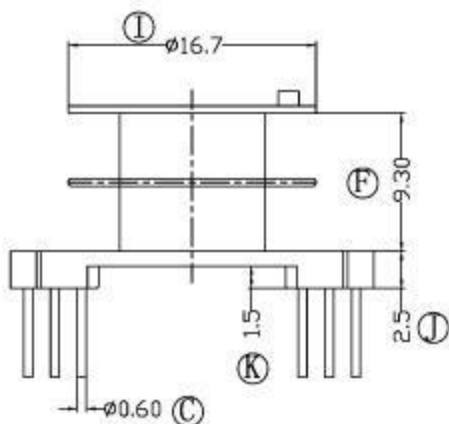


伏赛电子有限公司  
Fusign Electronics Co., Ltd

型号

RM-0801-1

REV	REVISIONS REC	DATE



DRAWN BY	JING LI PENG
CHECKER BY	LING RONG WANG
DATE	01-01-2008

TOLERANCE	
X. X	$\pm 0.3$
X. XX	$\pm 0.2$
壁厚:	$\pm 0.15$
PIN PITCH	$\pm 0.2$

MODEL NAME:	RM8-12P-2S
BOBBIN MATERIAL:	PHENOLIC
SCALE:	2:1
SCALE:	UL 94V-0
SCALE:	M/M

