



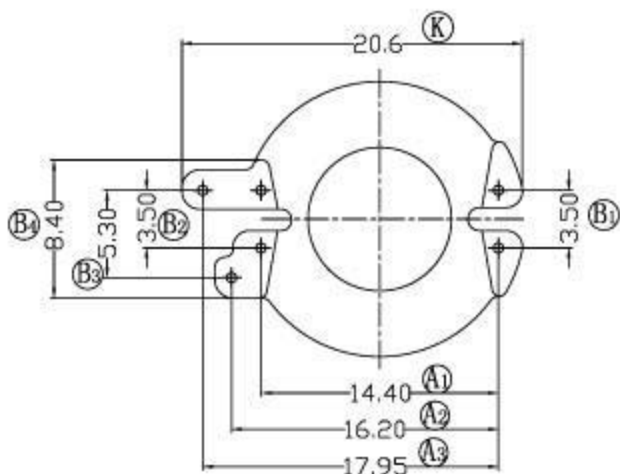
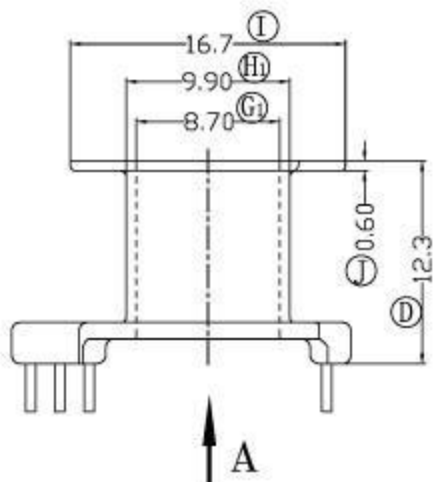
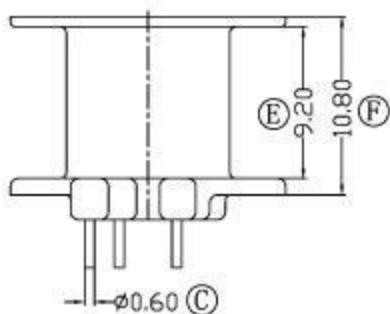
Fusign

 伏赛电子有限公司
 Fusign Electronics Co., Ltd

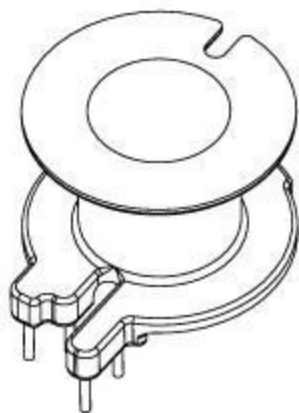
型号

RM-0802

REV	REVISIONS REC	DATE



A 向



DRAWNBY

JING LI PENG

TOLERANCE

MODEL NAME:

RM-8 (2+4P)

CHECKER BY

LING RONG WANG

X, X	± 0.3
X, XX	± 0.2
壁厚:	± 0.15
PIN PITCH	± 0.2

BOBBIN MATERIAL:

PHENOLIC

DATE

01-01-2008

SCALE:

2:1

SCALE: UL 94V-0



SCALE:

M/M