

CUT Series Core

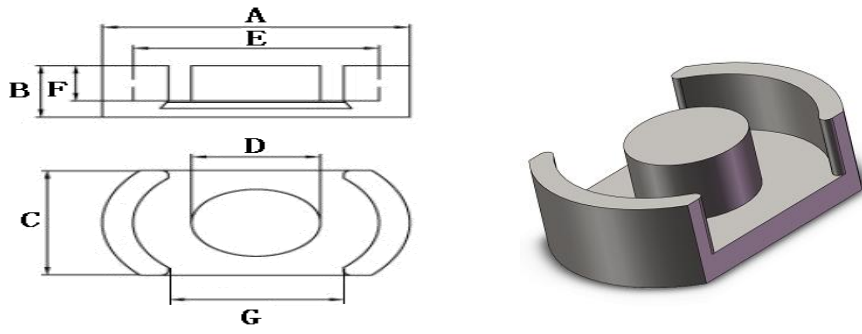


Fig 1

尺寸Size	标准号	图形	H	I	Le	Ae	Ve	P44
型号 Type	P/N	Fig	mm	mm	mm	mm ²	mmm ³	AL
CUT3015	CUT001	1	-	-	33	119	3813	5500
CUT3019	CUT002	1	-	-	41.5	119	4830.15	4500
CUT33.5/14.3/23.9	CUT003	1	-	-	42.5	146	6173	5800
CUT4017	CUT004	1	-	-	50.91	185.11	9423	8200
CUT4020	CUT005	1	-	-	57.27	206.93	11851.5	7000
CUT4025	CUT006	1	-	-	70.06	202.26	14170.34	5800