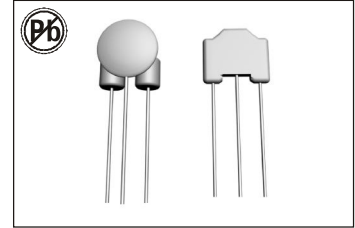


THROUGH-HOLE EMI SUPPRESSION FILTER DW SERIES



FEATURES:

- 3 terminal structure
- Heat Resistant Resin
- Excellent Mechanical Strength
- Excellent frequency performance
- High Reliability
- Low

OPTIONS:

- Packaging: Tape & Reel is standard (Qty: 2000 pcs)
- Bulk packaging available for smaller quantities
- Tolerance: 10% and 5% is standard, tighter tolerances available

COMMON APPLICATIONS:

- VCRs, DC/DC AC/DC converter
- Video Cameras
- Communication System
- Automotive Systems
- Liquid Crystal Televisions
- Hard Disk Drives
- Network Systems
- Computer Peripheral Equipment

ELECTRICAL CHARACTERISTICS:

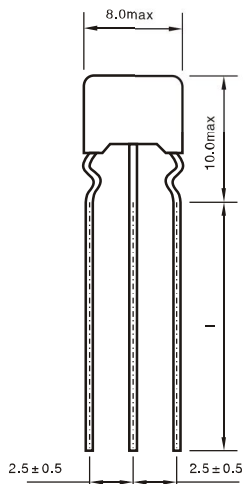
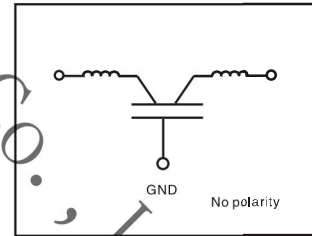
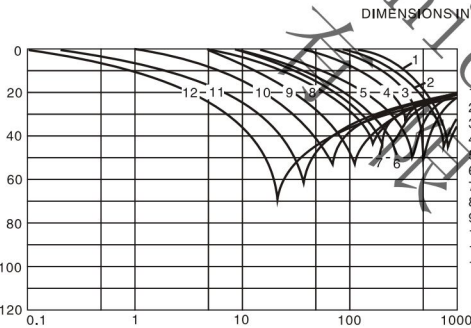
Part Number	Capacitance (pF)	Capacitance Change	Rated Voltage (Vdc)	Rated Current (A)	Operating Temperature Range(°C)	Part Number	Capacitance (pF)	Capacitance Change	Rated Voltage (Vdc)	Rated Current (A)	Operating Temperature Range(°C)
DW0802-220	22±20%, -20%	±22%	100	6	-25to85	DW0802-222	2200+80%, -20%	+22/-56%	100	6	-25to85
DW0802-330	33±20%, -20%	±22%	100	6	-25to85	DW0802-103	10000+30%, -30%	+30/-85%	100	6	-25to85
DW0802-470	47±20%, -20%	±22%	100	6	-25to85	DW0802-223	22000+80%, -20%	+30/-80%	16	6	-25to85
DW0802-101	100±20%, -20%	±22%	100	6	-25to85	DW1205-220	22 ± 20%	+30/-85%	100	7	-25to85
DW0802-151	150±20%, -20%	±22%	100	6	-25to85	DW1205-470	47 ± 20%	+30/-80%	100	7	-25to85
DW0802-221	220±20%, -20%	±22%	100	6	-25to85	DW1205-101	100 ± 20%	+30/-85%	100	7	-25to85
DW0802-271	270±20%, -20%	±22%	100	6	-25to85	DW1205-222	2200 ± 20%	± 22%	100	7	-25to85
DW0802-471	470±20%, -20%	±22%	100	6	-25to85	DW1205-223	22000+50/-20%	± 22%	50	7	-25to85
DW0802-102	1000±20%, -20%	±22%	100	6	-25to85	DW1205-223A	22000+50/-20%	± 10%	50	7	-25to85

Note: 1. K= ± 10%, M= ± 20%, Y=25%, N= ± 30%

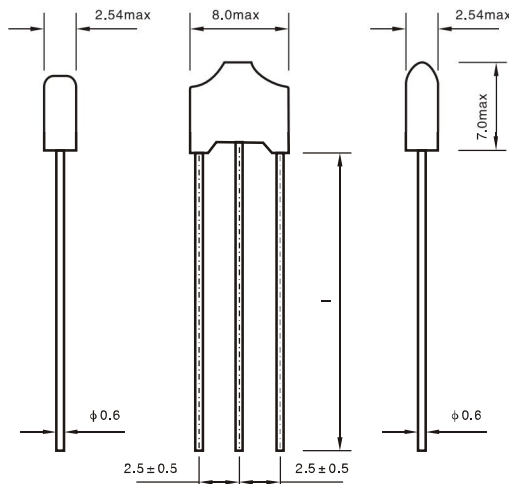
TECHNICAL INFORMATION:

- Insertion Loss: HP4395A
- Impedance -HP4191A
- Operating temperature: -25°C to +85°C
- Storage Temperature: -40°C to +105°C
- Solder methods: Vapor Phase, Infrared Reflow
- Resistance to soldering heat: 260°C for 10 seconds
- Solvent resistance: Conforms to MIL-STD-202E
- Marking: Capacitance code
- Note: All specifications subject to change without notice.

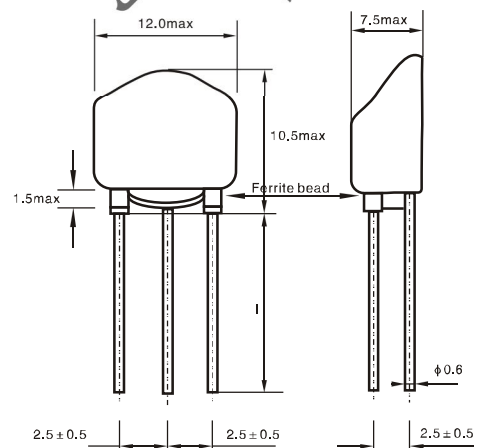
PHYSICAL CHARACTERISTICS:



DW 0802S



DW 0802



DW 1205